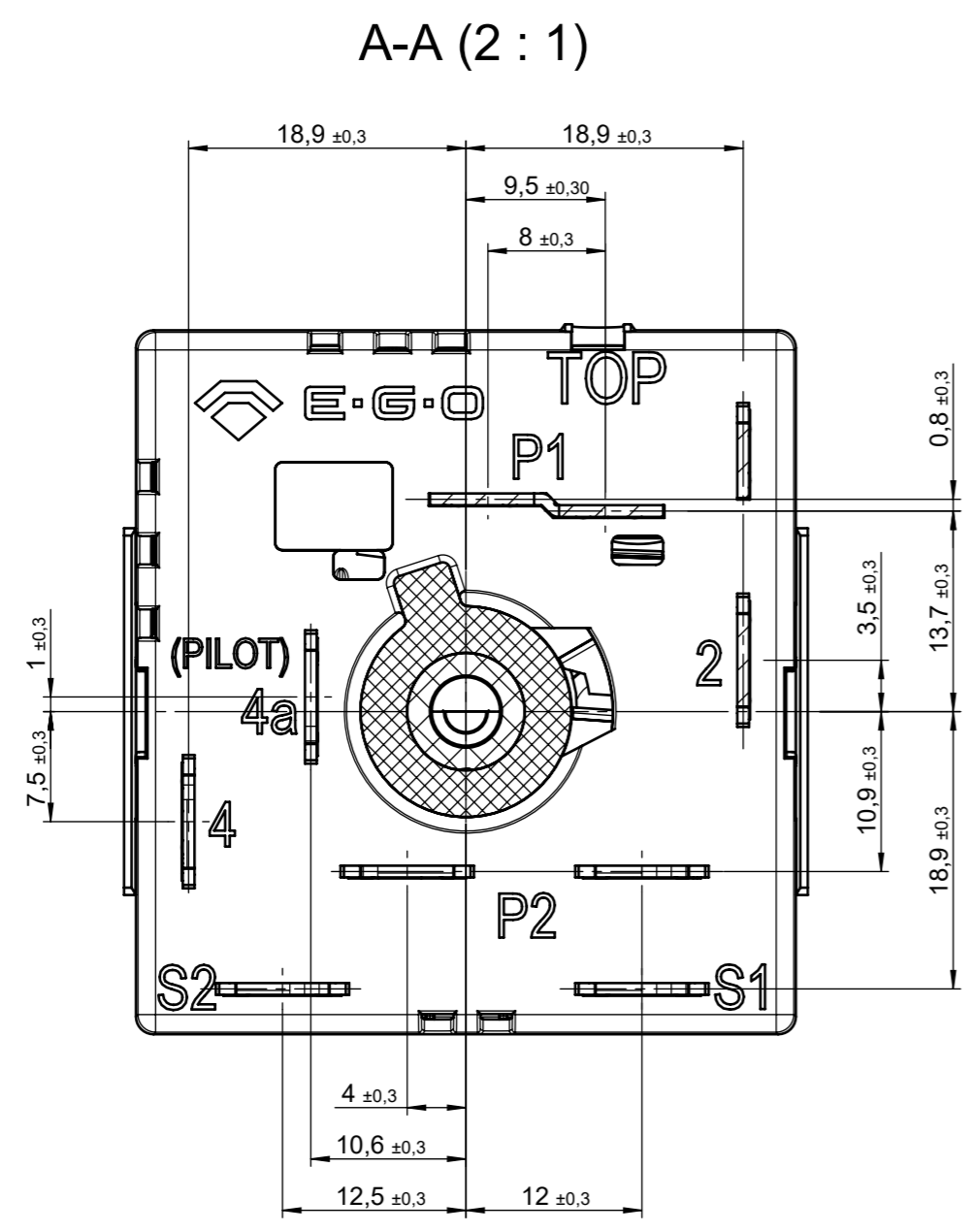
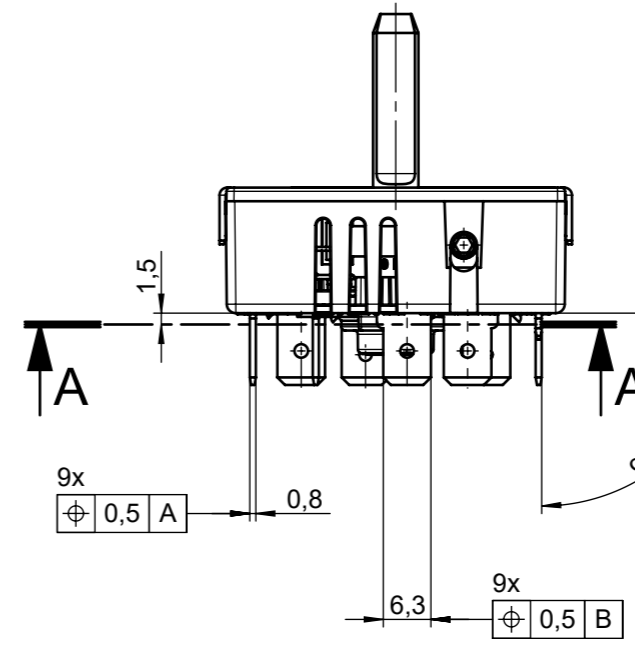
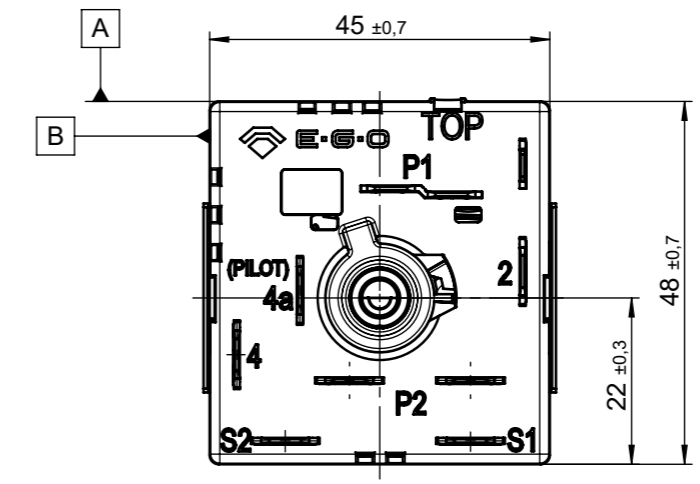


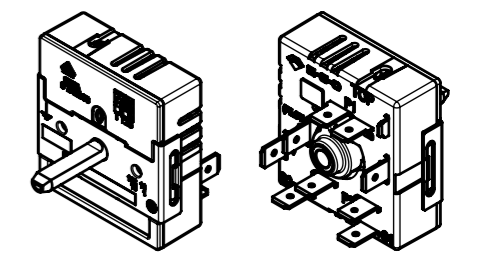
document id.: 90.03209.001-001-01-A / state: 230 - released
 view date: 2022-12-20 18:08:05 / user: ANGELESM
 item id.: 50.87021.001-00/69A / SAP material state: 2F



For one circuit regulators without tab terminal 4a / Pilot.
 Regulators without signal path tab terminals S1 - S2 not assembled.



The 90° ±1.5° angle applies for all tab terminals



			This document is exclusively committed to you for the agreed purpose. Any kind of duplication, utilization or communication of its content is prohibited, if not expressly conceded otherwise. Violators are committed to pay compensations. Any claims of existing or future property rights remain unaffected.			Blank No.		EN Mat.No.		Scale Unit	
						Material				mm	
						Surface Texture ISO 1302				Scale	
						General Tolerances ISO 2768-mK				1:1	
						Designation					
						Positions of Tab Terminals					
						Energy Regulators 50.8					
						Drawing No.		Sh.No.		Ver.	
						90.03209.001-001-01-A		F		Stat.	
						Repl.by		Ref.		Ex.Doc.	
						Repl.for C000007110					

