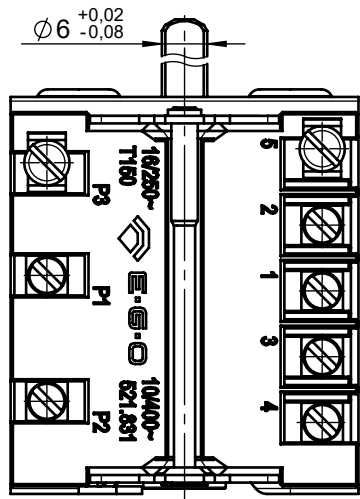


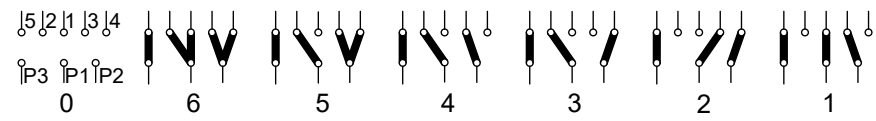
1 2 3 4 5 6

A

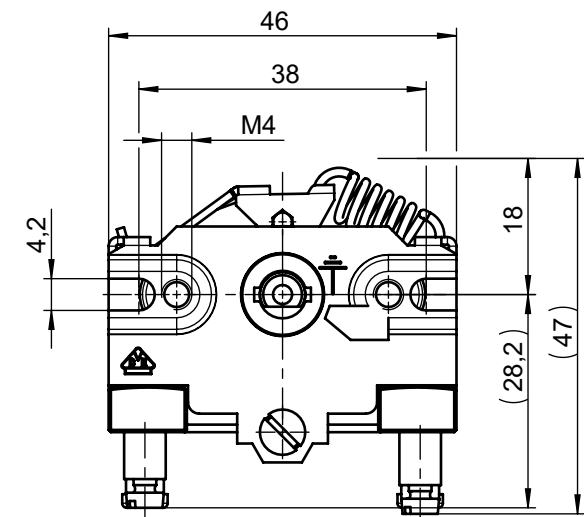
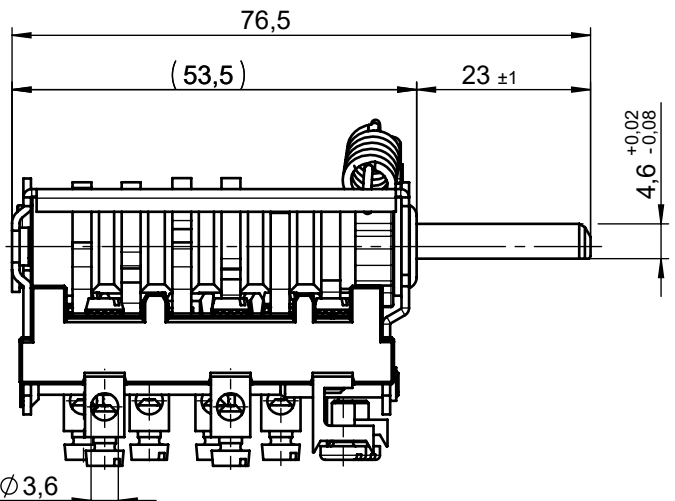
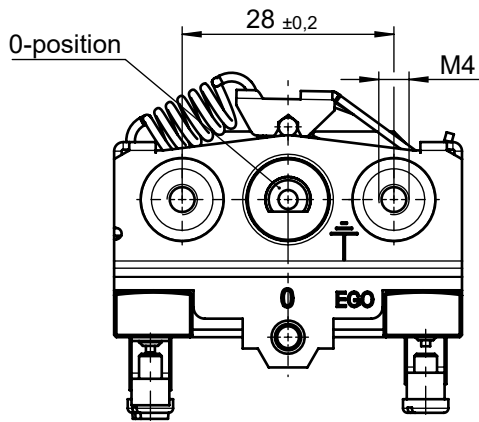


Only for VDE!

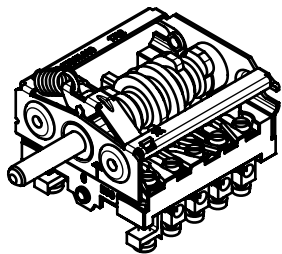
Switching diagram at clockwise rotation:



B



C



D

			This document is exclusively committed to you for the agreed purpose. Any kind of duplication, utilization or communication of its content is prohibited, if not expressly conceded otherwise. Violators are committed to pay compensations. Any claims of existing or future property rights remain unaffected.			Blank No.		EN Mat.No.		Scale Unit mm	
						Material				Scale 1:1	
						Surface Texture ISO 1302					
						General Tolerances ISO 2768-cl					
						Designation		EGO Switch 49.27215.000			
						CAD		Date		Name	
			0 F05209 2019-05-16			Creat.		2018-03-29		OSWALDR	
			Cha. Information No. Date			Proc.		2019-04-26		OSWALDR	
			F.Rel. F05209 2019-05-16			Rel.		2019-05-06		DIMAGGIA	
						document id.		C000019387-001-00-A		Stat. Sheets Doc. Ex.Doc.	
						Origin		Repl.for 49.27215.000		Repl.by	

1 2 3 4 5 6