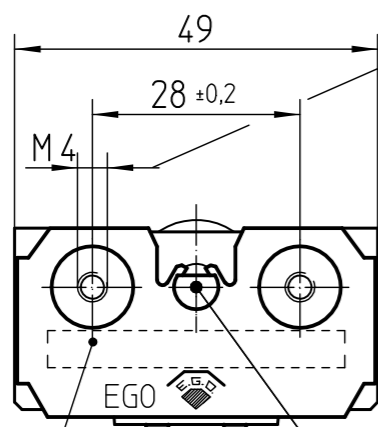


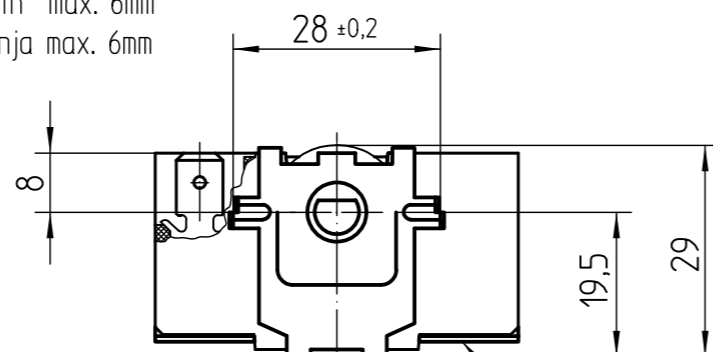
document id.: 46.23966.556-901-05-A / state: 230 - released  
 view date: 2022-12-20 18:01:18 / user: ANGELESM  
 item id.: 46.23966.556-00/69A / SAP material state: 2F

**Frontansicht**  
front view  
Pogled sprijeda



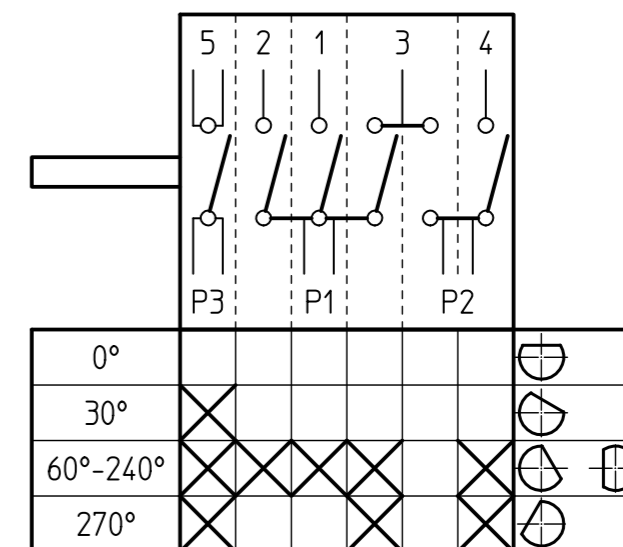
Einschraubtiefe max. 6mm  
screw-in-depth max. 6mm  
dubina uvrtnanja max. 6mm

**Rueckansicht**  
rear view  
Pogled straga



Deckel  
cover  
Poklopac

**Schaltdiagramm**  
switching diagram  
Schema spoja

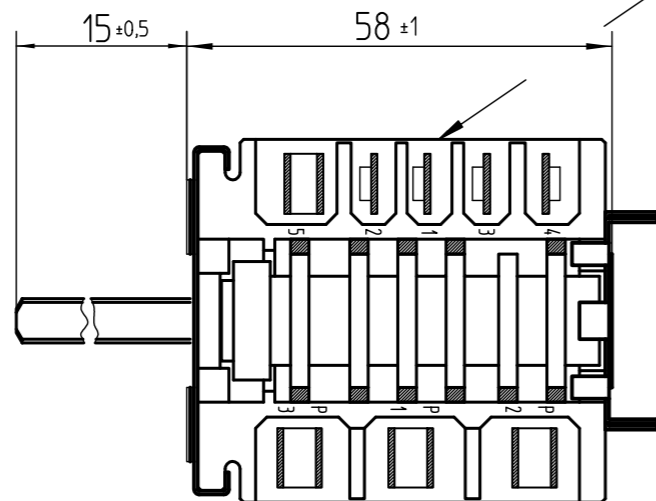


Anschlag zwischen 270° und 0°  
stop between 270° and 0°  
Granicnik između 270° i 0°

Zeichengenehmigung  
approvals  
Oznake i odorenja

Achse in AUS-Stellung (0°)  
axle in OFF-position (0°)  
Osovina u položaju isključeno (0°)

Schalter zusätzlich mit "9000097732" kennzeichnen.  
min. 3,5 mm (so groß wie möglich)  
add the mark "9000097732" on the switch.  
but min. with 3,5 mm (as large as possible)  
Sklopka dodatno sa "9000097732" oznacena.  
min. 3,5 mm ( po mogućnosti sto vece)



Kunden-Artikelnummer.:

Customer Code : 9000097732

Broj artikla kupca:

Anmerkung:

Aufzukoppelndes Gerät:

- Achsprofil  $\varnothing 6 \begin{smallmatrix} +0.02 \\ -0.08 \end{smallmatrix} \times 4,6 \begin{smallmatrix} +0.02 \\ -0.10 \end{smallmatrix}$
- Montagehinweis siehe 46.00000.000

remark:

appliance to be connected:

- axle profile  $\varnothing 6 \begin{smallmatrix} +0.02 \\ -0.08 \end{smallmatrix} \times 4,6 \begin{smallmatrix} +0.02 \\ -0.10 \end{smallmatrix}$
- mounting detail see type drawing 46.00000.000

Napomena:

Priključeni uređaj:

- Profil osovine  $\varnothing 6 \begin{smallmatrix} +0.02 \\ -0.08 \end{smallmatrix} \times 4,6 \begin{smallmatrix} +0.02 \\ -0.10 \end{smallmatrix}$
- Upute za montazu vidi 46.00000.000

Technische Angaben:

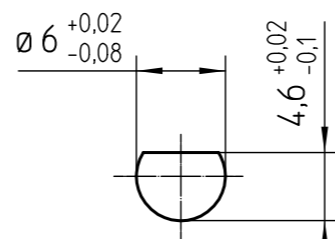
- Flachstecker DIN 46244 A 6,3-0,8
- Abweichung der Achsfläche in AUS-Stellung max.  $\pm 3^\circ$
- Genehmigte technische Daten siehe Zeichnungsnummer 46.00000.001

technical data:

- plug DIN 46244 A 6,3-0,8
- divergence of axle area in OFF-position max.  $\pm 3^\circ$
- approved technical data see type drawing 46.00000.001

Tehnicki podaci:

- Plosnati priključak DIN 46244 A 6,3-0,8
- Odstupanje ravnine osovine u položaju isključeno max.  $\pm 3^\circ$
- Odobreni tehnički podaci vidi crtez 46.00000.001



Achsprofil  
axle profile  
Profil osovine

This document is exclusively committed to you for the agreed purpose. Any kind of duplication, utilization or communication of its content is prohibited, if not expressly conceded otherwise. Violators are committed to pay compensations. Any claims of existing or future property rights remain unaffected.			Blank No. .	EN Mat.No. .	Scale Unit mm	
6	F04104	2013-03-06	Material .		Scale 1:1	
5	CD0001	2010-12-15	Surface Texture ISO 1302			
4	F03045	2010-09-07	General Tolerances ISO 2768-c			
3	F02914	2010-02-20	Designation	EGO Geräteschalter EGO multi function switch EGO Okretna sklopka		
2	F01300	2005-07-15	Create. 2004-06-17	ERNSTC	Drawing No. <b>46.23966.556</b>	
1	F00792	2004-06-22	Proc. 2013-03-05	ERNSTC		Sh.No. Ver. Stat. Sheets Doc. Ex.Doc. <b>901 5 F . . .</b>
Cha.	Information No.	Date	Rel. 2013-03-06	DIMAGGIA		
F.Rel.	F00782	2004-06-17	Origin .	Repl.for .	Repl.by .	Ref. S0153