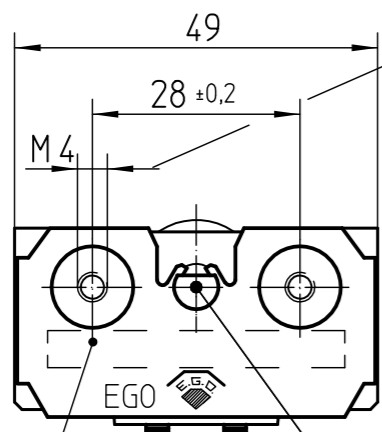


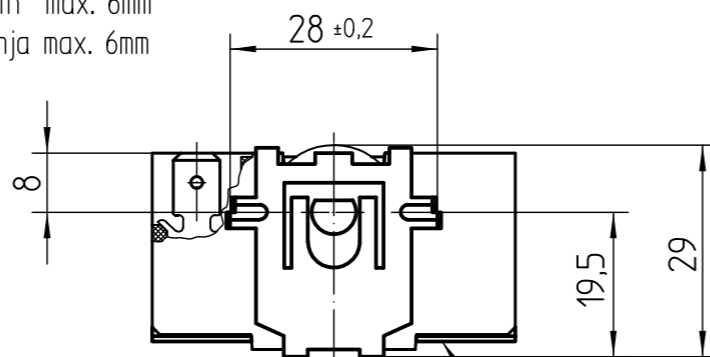
document id.: 46.23866.815-001-01-A / state: 230 - released
 view date: 2022-12-20 18:03:21 / user: ANGELESM
 item id.: 46.23866.815-00/69A / SAP material state: 2F

Frontansicht
front view
Pogled sprijeda



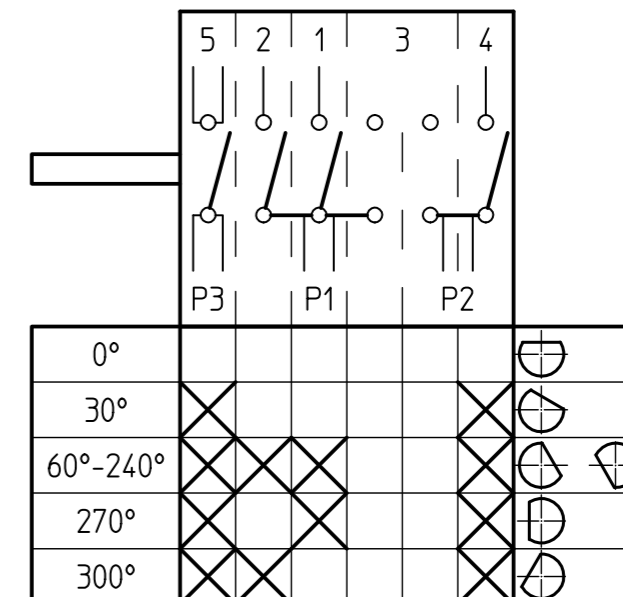
Einschraubtiefe max. 6mm
screw-in-depth max. 6mm
dubina uvrtnja max. 6mm

Rueckansicht
rear view
Pogled straga



Deckel
cover
Poklopac

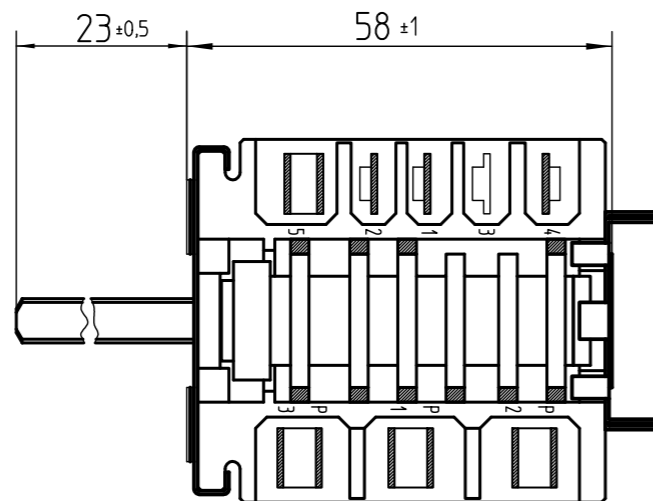
Schaltdiagramm
switching diagram
Schema spoja



Anschlag zwischen 300° und 0°
stop between 300° and 0°
Granicnik između 300° i 0°

Zeichengenehmigung
approvals
Oznake i odorenja

Achse in AUS-Stellung (0°)
axle in OFF-position (0°)
Osovina u položaju isključeno (0°)



Anmerkung:
Aufzukoppelndes Gerät:
- Achsprofil $\varnothing 6^{+0.02}_{-0.08} \times 4,6^{+0.02}_{-0.10}$
- Anschlag bei 270° ± 2°
- Montagehinweis siehe 46.00000.000

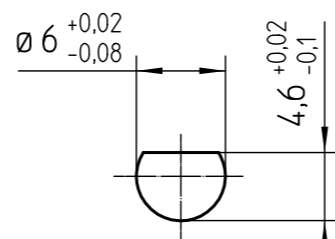
remark:
appliance to be connected:
- axle profile $\varnothing 6^{+0.02}_{-0.08} \times 4,6^{+0.02}_{-0.10}$
- stop at 270° ± 2°
- mounting detail see type drawing 46.00000.000

Napomena:
Prikliučeni uredaj:
- Profil osovine $\varnothing 6^{+0.02}_{-0.08} \times 4,6^{+0.02}_{-0.10}$
- Granicnik kod 270° ± 2°
- Upute za montazu vidi 46.00000.000

Technische Angaben:
- Flachstecker DIN 46244 A 6,3-0,8
- Abweichung der Achsfläche in AUS-Stellung max. ± 3°
- Genehmigte technische Daten siehe Zeichnungsnummer 46.00000.001

technical data:
- plug DIN 46244 A 6,3-0,8
- divergence of axle area in OFF-position max. ± 3°
- approved technical data see type drawing 46.00000.001

Tehnicki podaci:
- Plosnati priključak DIN 46244 A 6,3-0,8
- Odstupanje ravnine osovine u položaju isključeno max. ± 3°
- Odobreni tehnicki podaci vidi crtez 46.00000.001



Achsprofil
axle profile
Profil osovine

This document is exclusively committed to you for the agreed purpose. Any kind of duplication, utilization or communication of its content is prohibited, if not expressly conceded otherwise. Violators are committed to pay compensations. Any claims of existing or future property rights remain unaffected.				Blank No. .	EN Mat.No. .	Scale Unit mm
				Material .		Scale 1:1
				Surface Texture ISO 1302		
				General Tolerances ISO 2768-c		
2	CD0001	2010-12-15	CAD	Date	Name	Designation
1	F02914	2010-02-20	Create.	1999-06-10	Sommer	EGO Geräteschalter
Cha.	Information No.	Date	Proc.	2010-02-16	ERNSTC	EGO multi function switch
F.Rel.	1198ER	1999-06-10	Rel.	2010-02-20	BELZB	EGO Okretna sklopka
				Drawing No.	Sh.No.	Ver.
				46.23866.815	901	1 F
Origin .				Repl.for .	Repl.by .	Stat.
						Sheets
						Doc.
						Ex.Doc.
				Reference S4468		