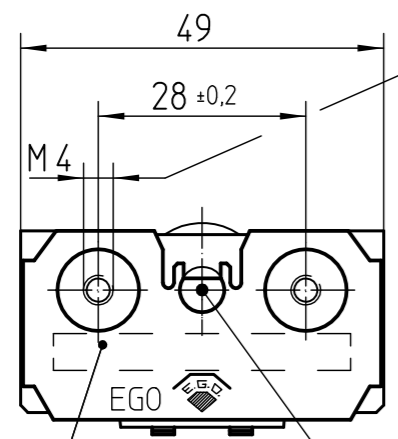


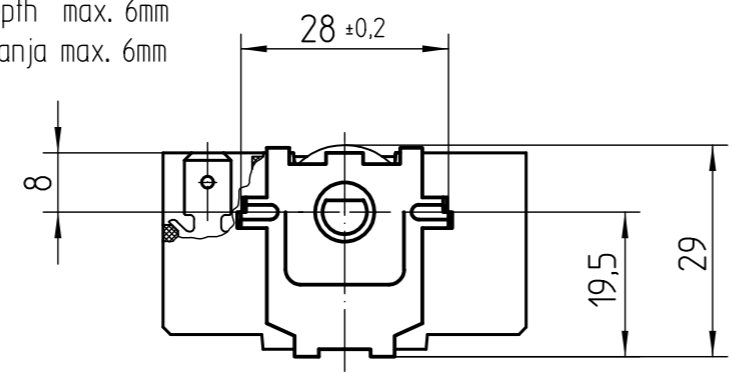
document id.: 42.02900.027-001-02-A / state: 230 - released  
 view date: 2022-12-20 18:04:17 / user: ANGELESM  
 item id.: 42.02900.027-00/69A / SAP material state: 2F

**Frontansicht**  
 front view  
 Pogled sprijeda

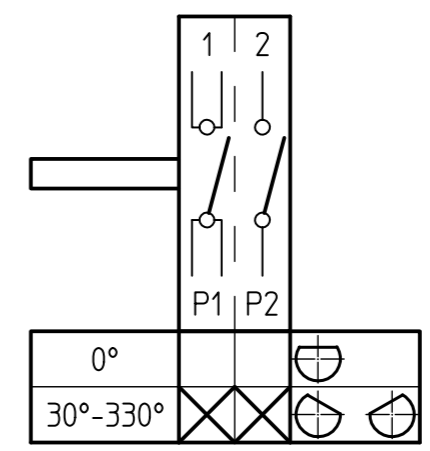


Einschraubtiefe max. 6mm  
 screw-in-depth max. 6mm  
 dubina uvrtnja max. 6mm

**Rueckansicht**  
 rear view  
 Pogled straga

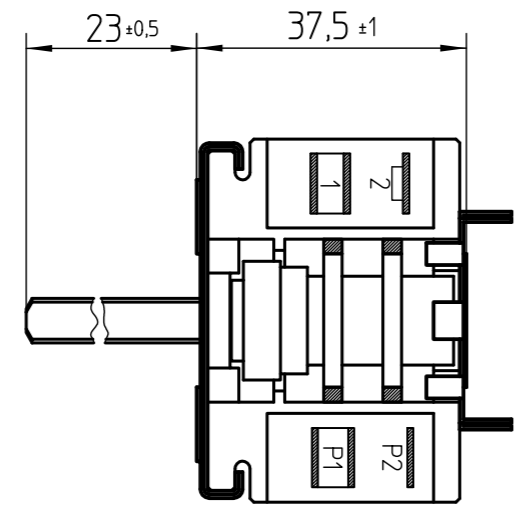


**Schaltdiagramm**  
 switching diagram  
 Schema spoja



Zeichengenehmigung  
 approvals  
 Oznake i odorenja

Achse in AUS-Stellung (0°)  
 axle in OFF-position (0°)  
 Osovina u položaju isključeno (0°)



**Anmerkung:**

Aufzukoppelndes Gerät:  
 -Achspröfil  $\varnothing 6^{+0.02}_{-0.08} \times 4,6^{+0.02}_{-0.10}$   
 -Montagehinweis siehe 42.00000.000

**remark:**

appliance to be connected:  
 -axle profile  $\varnothing 6^{+0.02}_{-0.08} \times 4,6^{+0.02}_{-0.10}$   
 -mounting detail see type drawing 42.00000.000

**Napomena:**

Priključeni uređaj:  
 -Profil osovine  $\varnothing 6^{+0.02}_{-0.08} \times 4,6^{+0.02}_{-0.10}$   
 -Upute za montazu vidi 42.00000.000

**Technische Angaben:**

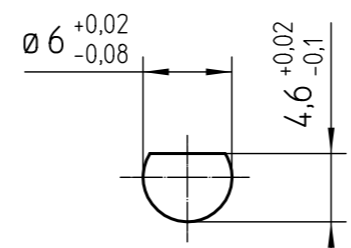
- Flachstecker DIN 46244 A 6,3-0,8
- Rasteranschluß: 8mm
- Abweichung der Achsfläche in AUS-Stellung max.  $\pm 3^\circ$
- Genehmigte technische Daten siehe Zeichnungsnummer 42.00000.001

**technical data:**

- plug DIN 46244 A 6,3-0,8
- connection: rast 8mm
- divergence of axle area in OFF-position max.  $\pm 3^\circ$
- approved technical data see type drawing 42.00000.001

**Tehnicki podaci:**

- Plosnati priključak DIN 46244 A 6,3-0,8
- Raster priključaka : 8 mm
- Odstupanje ravnine osovine u položaju isključeno max.  $\pm 3^\circ$
- Odobreni tehnicki podaci vidi crtez 42.00000.001



**Achsprofil**  
 axle profile  
**Profil osovine**

This document is exclusively committed to you for the agreed purpose. Any kind of duplication, utilization or communication of its content is prohibited, if not expressly conceded otherwise. Violators are committed to pay compensations. Any claims of existing or future property rights remain unaffected.				Blank No. .	EN Mat.No. .	Scale Unit mm
				Material .		Scale 1:1
				Surface Texture ISO 1302		
				General Tolerances ISO 2768-c		
3	CD0001	2010-12-15		Designation		
2	F03129	2010-09-24	CAD	Date	Name	EGO Programmschalter
1	F02915	2010-02-20	Create.	2004-06-28	ERNSTC	EGO multi function switch
Cha.	Information No.	Date	Proc.	2010-09-09	ERNSTC	EGO Okretna sklopka programska
F.Rel.	FE00799	2004-06-28	Rel.	2010-09-23	BELZB	
				Drawing No.	Sh.No.	Ver.
				42.02900.027	901	2 F
Origin .				Repl.for .	Repl.by .	Reference S0164