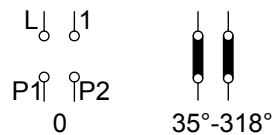
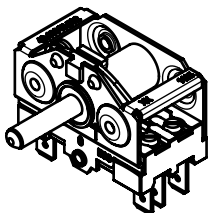
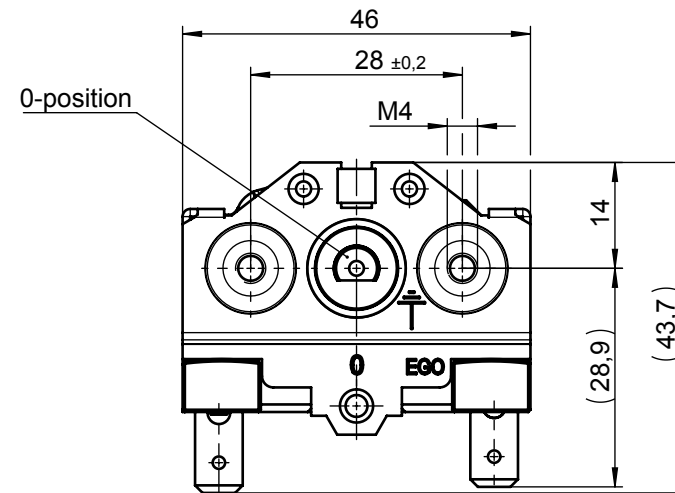
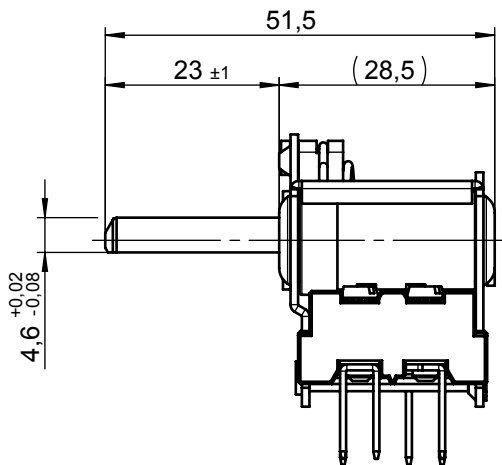
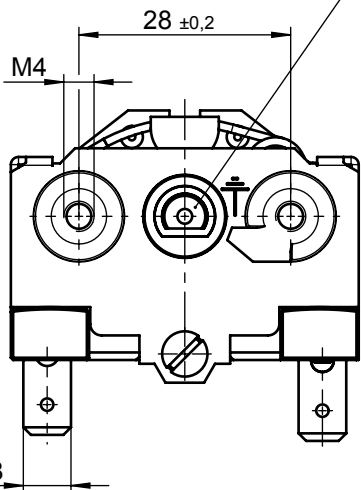


Switching diagram on clockwise rotation:



Internal profile $\phi 6 \times 4,6$, 17mm deep



| | | | | | | |
|----------------|-----------------|------------------------------|--------------------------------|------------|---------------|--------------|
| 49.21015.605 | | | Only for UL | | | |
| 49.21015.600 | | | Only for VDE | | | |
| Artikle number | | | Remark | | | |
| | | | Blank No. | | EN Mat.No. | |
| | | | Material | | Scale Unit mm | |
| | | | Surface Texture ISO 1302 | | Scale 1:1 | |
| | | | General Tolerances ISO 2768-cl | | | |
| | | | Designation | | | |
| | | | EGO Switch 49.21015.60X | | | |
| 0 | F05188 | 2019-05-16 | Creat. | 2019-05-28 | OSWALDR | |
| Cha. | Information No. | Date | Proc. | 2019-05-28 | OSWALDR | |
| F.Rel. | F05188 | 2019-05-16 | Rel. | 2019-06-03 | DIMAGGIA | |
| | | | document id. | | Stat. | Sheets |
| | | | C000018707-005-01-A | | F | Doc. Ex.Doc. |
| Origin | | Repl.for 49.21015.600 + .605 | | Repl.by | | Ref. |