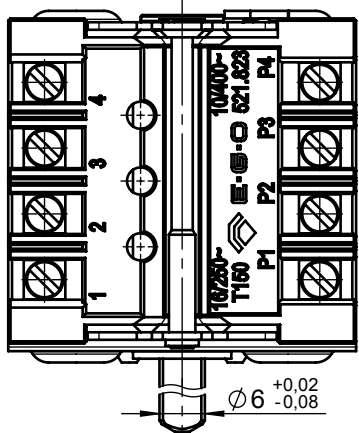
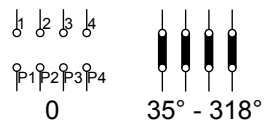


1 2 3 4 5 6

A



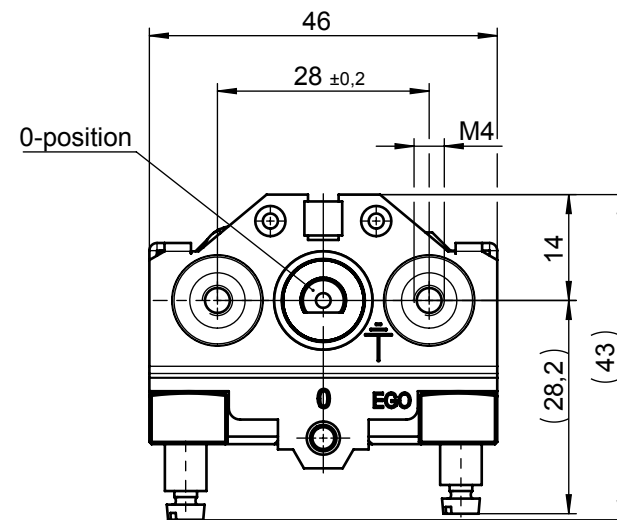
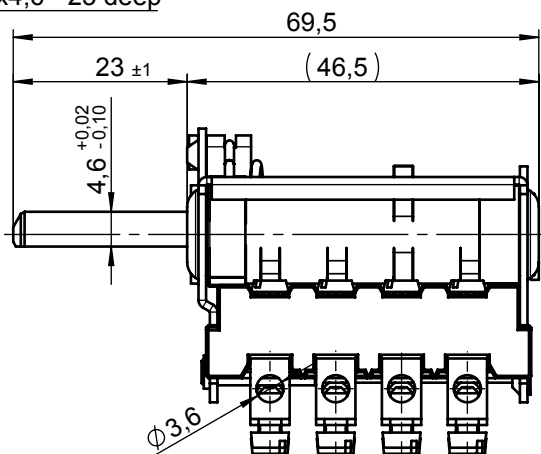
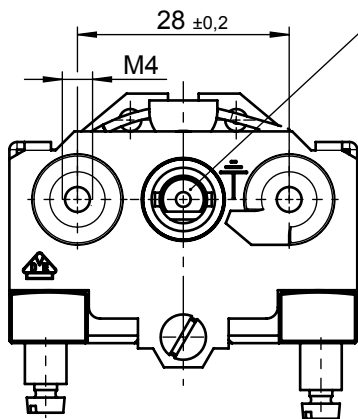
Switching diagram at clockwise rotation:



Remark:

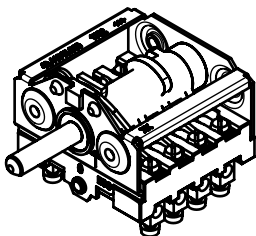
The switch has a hollow axle, but no stop.
 By using a connection bracket acc. to drawing no.: 0000 617.078,
 a temperature controller can be plugged on.
 The positions zero are secured by a catch.
 A hole of at least $\varnothing 8\text{mm}$ must be provided for the axle feed-through.

B



C

D



49.41015.305			UL			
49.41015.300			VDE			
Type			Only for			
			Blank No.		Scale Unit	
			Material		mm	
			Surface Texture ISO 1302		Scale	
			General Tolerances ISO 2768-cL		1:1	
			Designation			
0	F05300	2019-05-16	Cad			EGO Switch 49.41015.300 + .305
Cha.	Information No.	Date	Proc.	2019-05-02		
F.Rel.	F05300	2019-05-16	Rel.	2019-05-03		
			document id.		Stat.	
			C000025101-002-00-A		F	
Origin			Repl.for 49.41015.300		Repl.by	
					Ref.	

1 2 3 4 5 6